

**O&G Industries, Inc.**  
 112 Wall Street, Torrington CT  
 Tel: (860) 489-9261

**CONTRACT CHANGE ORDER**

Project: Oxford Middle School  
 To: **Town Of Oxford**

**Robert Slie**  
 486 Oxford Road  
 Oxford  
 CT 06478

Change No.: **PCO 118**  
 Change Name: RFI 399 Add access control to Door  
 A114B - Hardware  
 Contract No.: 2011400  
 Contract Name: Town Of Oxford  
 Change Date: 11/12/20  
 Change Amount: **468.00**  
 Schedule Impact: **0.00** Days

**Description:**

This PCO is for adding the necessary electrified hardware for access control to door A114B per staff request for additional school security measures.

CE 116  
 Out of Scope Change

Contract Change Items			
Change Item No.	Change Event Item No.	Name	Amount (USD)
0001		Gypsum Board Trade Contract	453.00
0002		P&P Bonds - CM/GC	3.00
0003		CM Fee	8.00
0004		GL and EL Insurance	4.00
<b>Total:</b>			<b>468.00</b>

**Tecton Architects**

**Construction Solutions Group, LLC**

By: \_\_\_\_\_

By: \_\_\_\_\_

Date: \_\_\_\_\_

Date: \_\_\_\_\_

**Town Of Oxford**

**O&G Industries, Inc.**

By: \_\_\_\_\_

By: \_\_\_\_\_

Date: \_\_\_\_\_

Date: \_\_\_\_\_

Gus Kotait  
O&G INDUSTRIES, INC.

Add access control to Door A114B  
REQUEST FOR INFORMATION

10/16/2020  
O&G-RFI-000399



**Oxford Middle School**  
State Project #108-0043 N



MAIL TYPE  
Request For Information

MAIL NUMBER  
O&G-RFI-000399

REFERENCE NUMBER  
O&G-RFI-000399

## Add access control to Door A114B

From Gus Kotait - O&G Industries, Inc.

To Alison Fredericks - Tecton

Cc (2) Robert Frank - O&G Industries, Inc. (+1 more...)

Sent Friday, October 16, 2020 11:12:28 AM EDT (GMT -04:00)

Respond by **10/21/20**

Status **Overdue**

### DETAILS

Request Please review the attached pdf documents and provide all necessary access control components and hardware revision to door A114B in order to implement the change requested by school staff.

Cost Impact Yes



Schedule Impact Yes

Request Attachment Yes

Reference Document SK-S1

Proposed Solution

### FILE ATTACHMENTS (2)

File Name
 IS SERIES INTERCOM SYSTEM.pdf
 OXF01AR_S11+-+SECURITY+GUARD+DESK+@+MAIN+ENTRY - Add AI Phone and card access to Door A114B.pdf

## MESSAGE

**Gus Kotait**

Project Manager, O&amp;G Building Group

O&amp;G Industries, Inc.

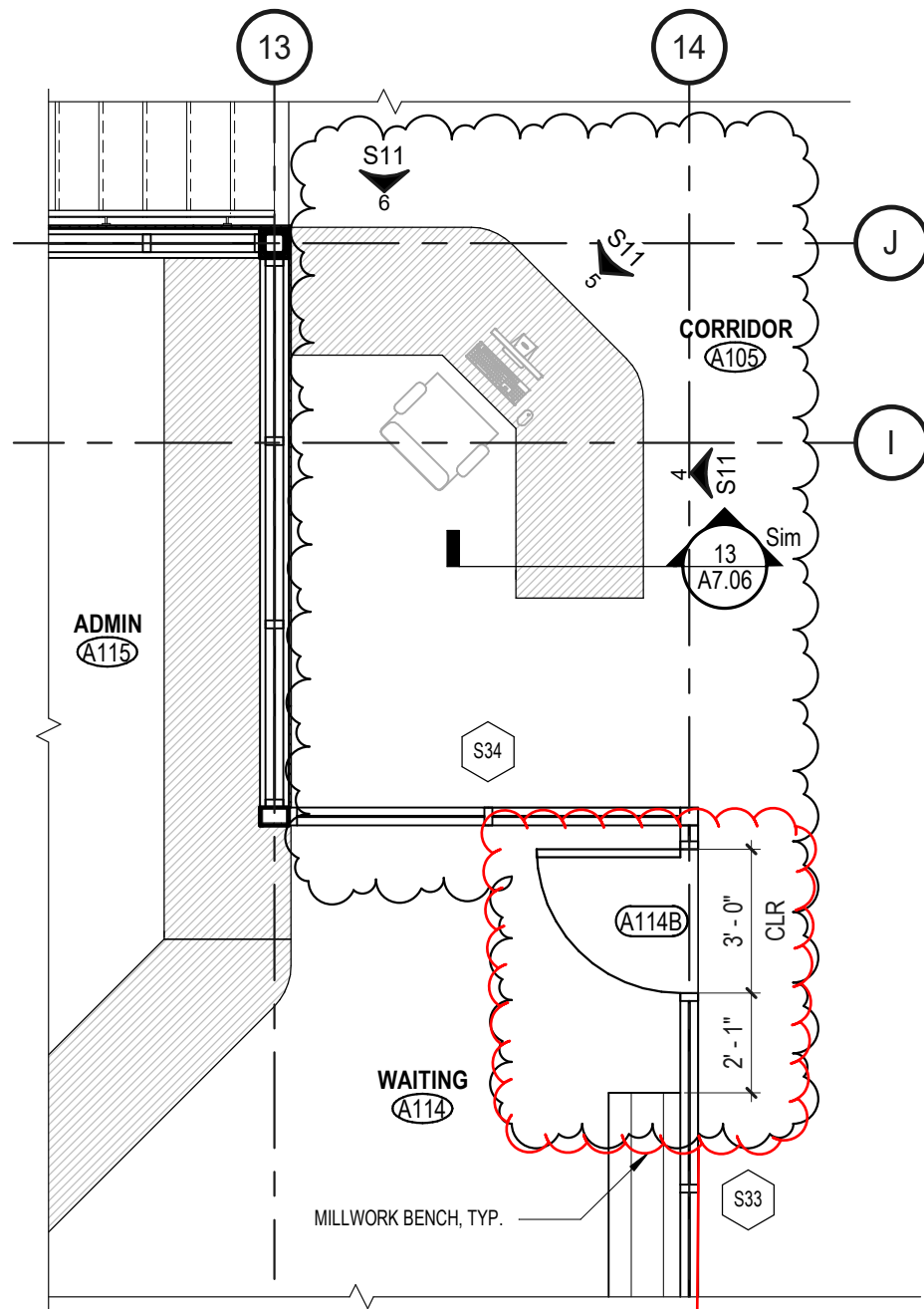
Oxford Middle School Project

40 Great Oak Road., Oxford, CT 06478

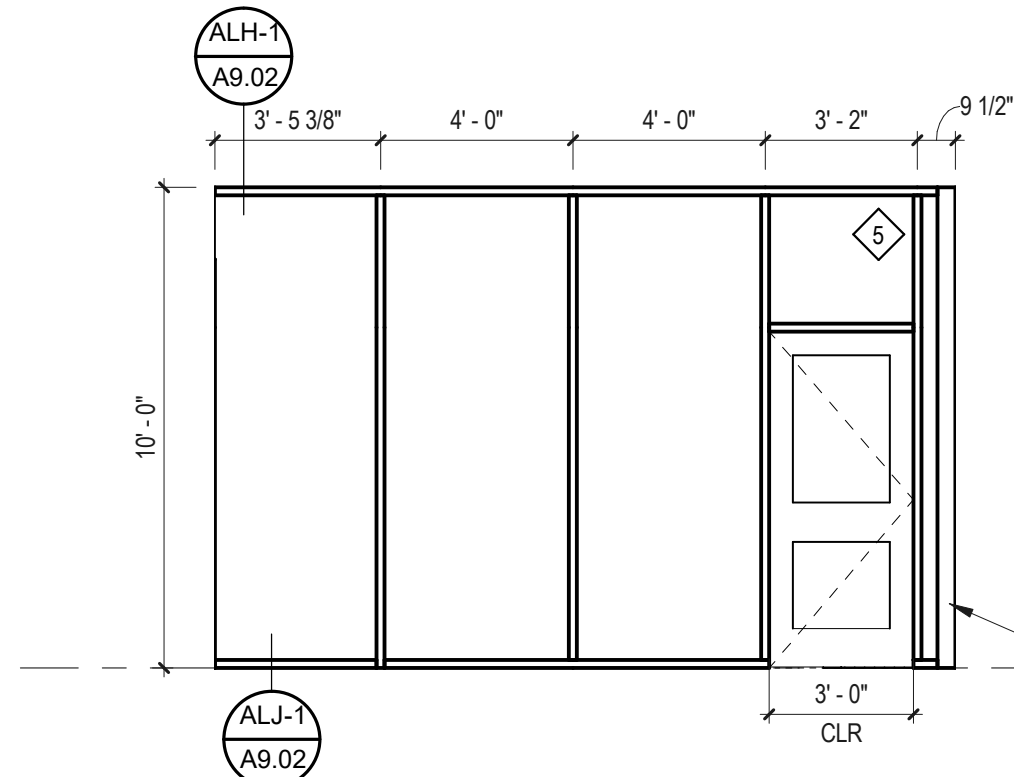
M: (860) 625-9349

Online at [www.ogind.com](http://www.ogind.com)*O&G Industries is an Equal Opportunity Employer*

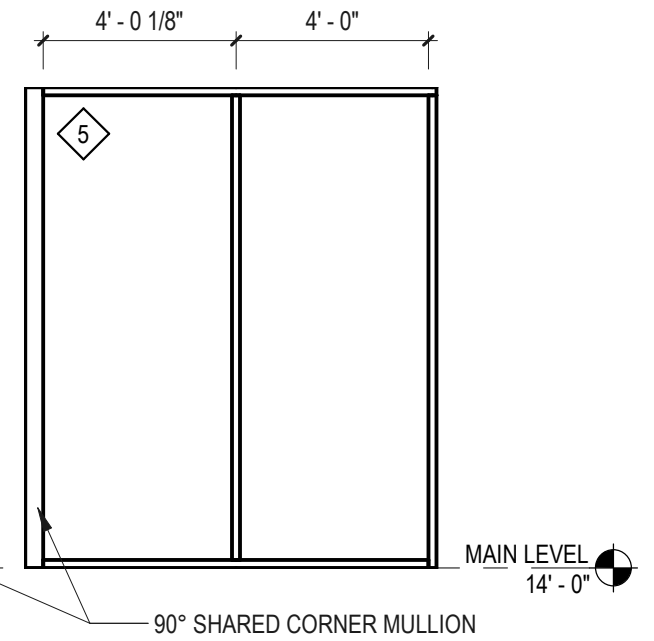
Please be advised that the content of this e-mail is for discussion purposes only and, unless this disclaimer is explicitly referenced and excluded by the sender in the body of the email, is not intended to bind either party in contract. This transmission (including any attachments) is confidential, intended only for the named recipient(s) and may be legally privileged or exempt from disclosure under applicable law. If you are not the intended recipient(s), do not review, transmit, convert to hard copy media, copy, rely on or disseminate any part of this e-mail. Instead, please immediately notify the sender by return e-mail and then promptly delete this information from your system. "An Affirmative Action-Equal Opportunity M/F/Veteran/Disability Employer"



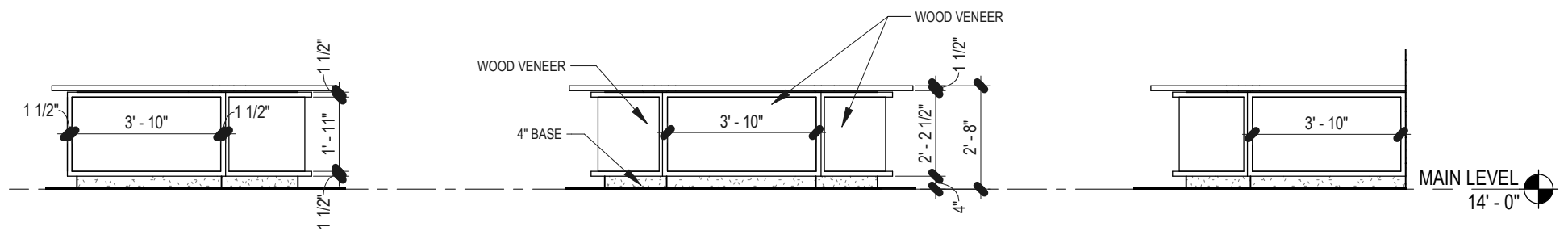
**1 REVISED FLOOR PLAN**  
1/4" = 1'-0"



**2 STOREFRONT - S33**  
1/4" = 1'-0"



**3 STOREFRONT - S34**  
1/4" = 1'-0"



**4 DESK - NORTH**  
1/4" = 1'-0"

**5 DESK - NORTHWEST**  
1/4" = 1'-0"

**6 DESK - WEST**  
1/4" = 1'-0"

Per School staff request at 10/13/2020 OAC meeting provide a cost proposal for necessary hardware changes to add AI Phone buzzer and card access capability at door A114B on Waiting Room side

Drawing Title: <b>SECURITY GUARD DESK @ MAIN ENTRY</b>		DWG No: <b>S11</b>	Date: 12/4/19
Project: OXFORD MIDDLE SCHOOL		TectonArchitects Tecton Architects   pc Hartford CT, Westerly RI 860 548 0802 www.tectonarchitects.com	Scale: 1/4" = 1'-0"
GREAT OAK ROAD, OXFORD, CT 06478			Job No: OXF01AR
			Revised:



Currently this a temporary door and hardware. The final door is scheduled to arrive end of October

Provide electric strike and card reader that fit on 2" mullion. Electric strike to activate with card access or from AI phone station on secretary's desk





Provide electric strike and card reader that fit on 2" mullion

Provide a revised hardware Heading 211 compatible with electric strike EL12S



48V DC, 2A Power Supply	19" Rack Image shown
	
<b>EL-12S</b> Electric Door Strike (requires PT-1210NA)	<b>PT-1210NA</b> 12V / Trans (requires EL-12S)

From Approved  
Hardware submittal  
for Door A114B

Heading 211

**SGL 3-0 x 7-0 x 1 3/4 x WD x ALF**

Mark #	Area	Hand	Qty	Mode	Description	Location	Degree Act inAct
A114B	BASE	RHR	1	SGL	DOOR A114B	MAIN ENTRY A105 FROM WAITING A114	

FRAME	Quantity	Type	Mfg	Material	Series	Ga/Thickness	Door Thick	Rating	Agency	Jamb Depth	Opening Size	Wall type	Net Wall Th.	Anchor	Finish	Assy Constr.	Deg Opening	HW Set	Elev
	1	ALF	B/O				1 3/4				3-0 x 7-0							211	

SEE SEPARATE SUBMITTAL

DOOR	Hand	Width	Height	Ga	Thick	Rating	Type	Mfg	Series	Style	Core	Finish	Face	U/C	Gls Thk	Elev
	RHR	6-0	7-0		1 3/4		WD	VTI	HER		5508H (FG-2)	SCL	CLEAR	PSWMP	3/4	1/4

WOOD DOOR

One Opening							
(Totals)	Each Assembly to Have:						
( 3 )	3 EA	HINGE, 4 1/2, STD WT	FBB179 4-1/2 X 4-1/2 X NRP		26D	STA	
( 1 )	1 EA	MORTISE LOCK INTRUDER LATCH BOLT	M9071-J-LRA-134-5006-114		626	DOR	
( 2 )	2 EA	CYLINDER CORE	1CX-7-X10-W-2-626		626	BES	
( 2 )	2 EA	CYLINDER CORE	7190224			BES	
( 1 )	1 EA	CLOSER, PARALLEL ARM	8916 DS DPK89		689	DOR	
( 1 )	1 EA	KICK PLATE	8400 X B-CS X 8 X 34		US32D	IVE	
( 3 )	3 EA	SILENCER	SR64		GRY	IVE	

<p style="font-size: 8px; margin-top: 10px;">Since 1919</p>	LINDQUIST SECURITY TECHNOLOGIES, INC.	OXFORD MIDDLE SCHOOL-FSC
	240 HATHAWAY DRIVE	Control No.4792
	STRATFORD CT 06615	J4792
	Tel: 203-381-5557 Fax: 203-378-2233	Submitted By: MICHAEL HARRINGTON

October 15, 2019



**Oxford Middle School - Town of Oxford - Oxford Middle School**  
Gus Kotait - August 29 2020





60 Holmes Road  
 Newington, CT 06111  
 Ph : (860)666-5631

*Change Request*

To: Gus Kotait

Number: 53

Date: 10/15/20

Job: 19-563600 Oxford Middle School

Phone: (860)625-9349

Description: Furnish electric strike A114B

We are pleased to offer the following specifications and pricing to make the following changes:  
 modification of aluminum frame and hook up by others (slight notch on the existing ASA strike to accept the electric strike)

Work performed by us:				
Description	Quantity	Unit	Unit Price	Price
Furnish electric strike	1.00	Is	\$411.60	\$411.60
			<b>Subtotal:</b>	<b>\$411.60</b>
			<b>Subtotal:</b>	<b>\$411.60</b>
Markup Labor				\$0.00
Markup Material			\$411.60	10.00%
Markup Subcontractors				\$0.00
			<b>Total:</b>	<b>\$452.76</b>

# Reviewed

by kotait11/12/2020 8:31:52 PM

If you have any questions, please contact me at 860-666-5631.

Submitted by: Coby Emshwiller  
 Conn Acoustics, Inc.

Approved by: \_\_\_\_\_  
 Date: \_\_\_\_\_

PROPOSAL

Page: 1

Submitted To: Connecticut Acoustics, Inc.  
60 Holmes Rd.  
Newington, CT 06111

Proposal Number: JOB000821  
Proposal Change Number: 11  
Customer P.O. No. 19-563600-02  
Proposal Date: 10/15/2020  
Customer ID: CONACO  
Sales Person: Michael  
Harrington

Job Description: OXFORD MIDDLE SCHOOL-FSC-electric strike @a114b

Item No.	Description	Unit	Quantity	Unit Price	Total Price
NSES	HES 1006 CLB-630 12/24 VDC FAIL SECURE	EA	1	411.60	411.60

Accepted By: \_\_\_\_\_

Subtotal: 411.6

Date: \_\_\_\_\_

Purchase Order No. \_\_\_\_\_

Sales Tax: 0

Total: 411.6